

Data Sheet

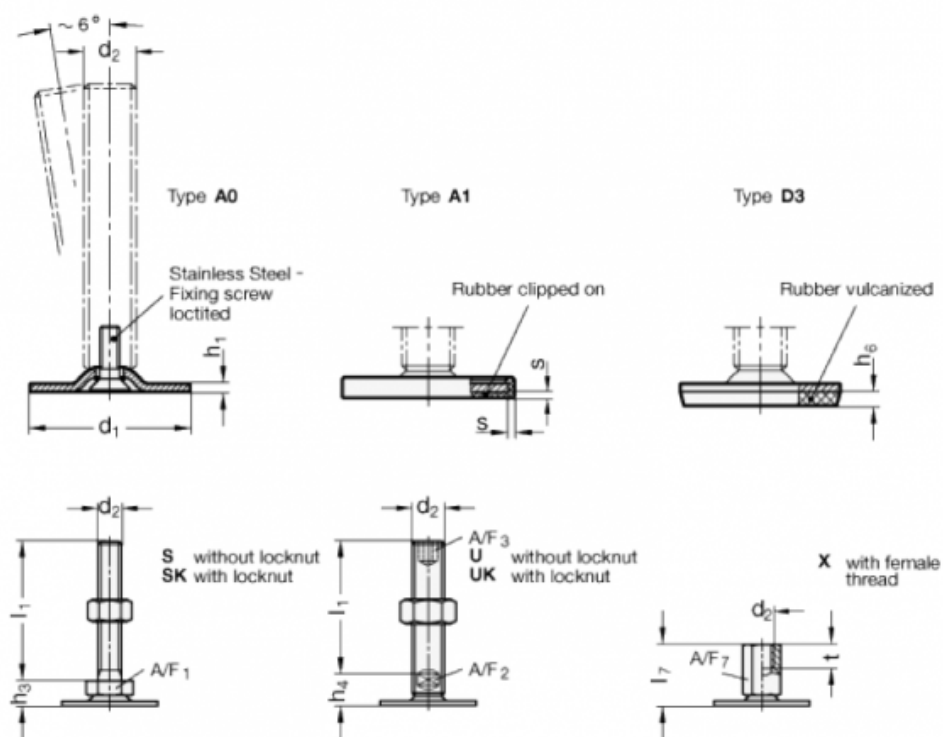


Article number: 204040M16100A1U

Description: E+G levelling foot
GN 40-40-M16-100-A1-U

Note: U Without nut, Hexagon socket at the top, Wrench flat at the bottom

Measures



A/F2 = 12
 A/F3 = 8
 d1 = 40
 d2 = M16
 h1 = 2
 h4 = 17
 h6 =
 l1 = 100

s = 1.5